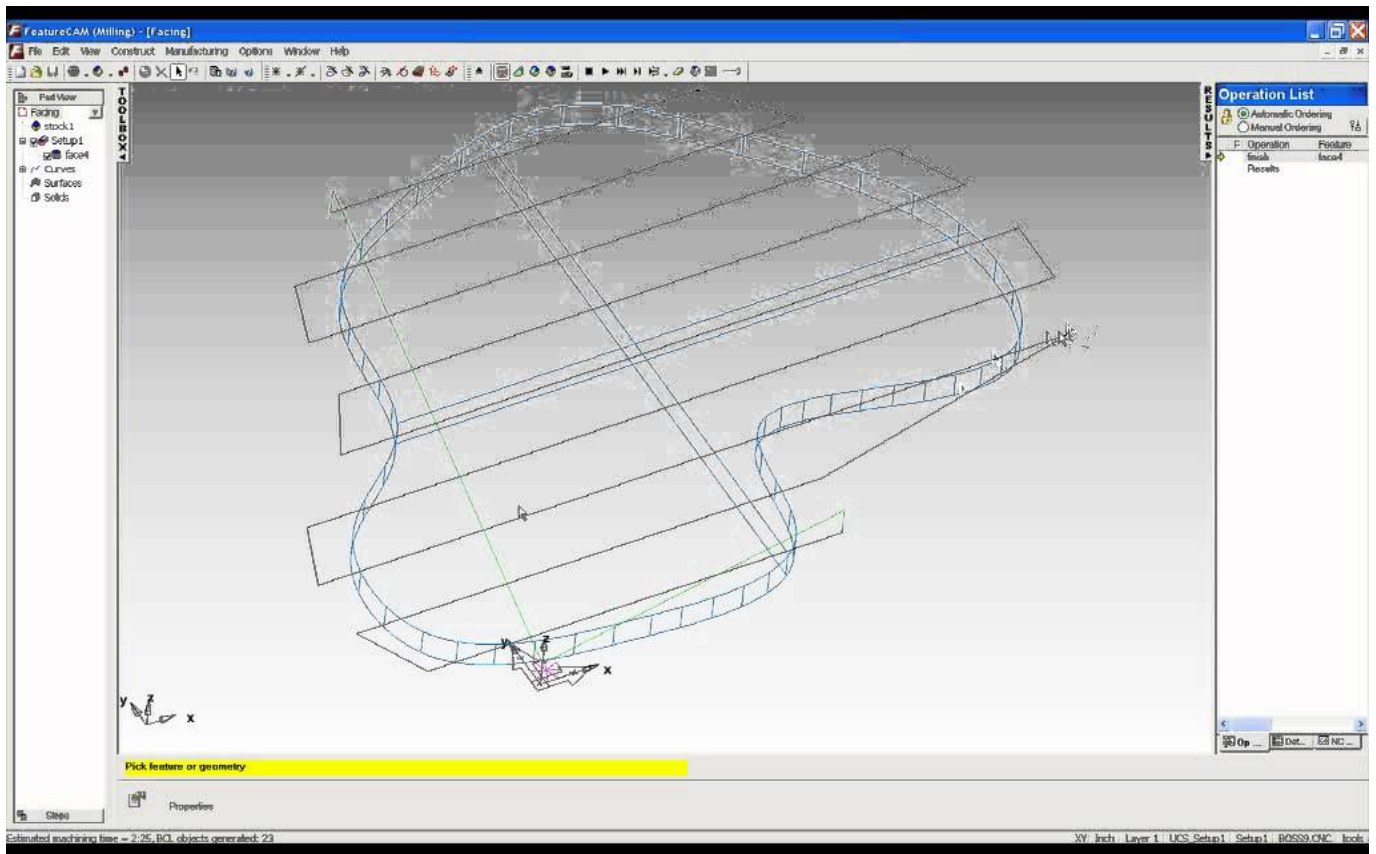




[FeatureCAM 2009](#)



[FeatureCAM 2009](#)



**DOWNLOAD**

---

FeatureCAM 2009 will support slant turning on mill-turn machines.. FeatureCAM 2009 incorporates enhancements across its complete range of functionality, reflecting the increased investment in product .... FeatureCAM 2009 sisältää parannuksia kaikissa toiminnoissa, heijastaen kasvanutta investointia tuotteen kehitykseen Delcamin hankittua ohjelmiston vuonna .... I have a Mazak Integrex 200 with 640MT control and I'd like to use FeatureCAM 2009 to machine complex parts. The problem is my post-processor has some .... The way that FeatureCAM traces edges of parts has been greatly improved for both solid surface modelling and .... DELCAM FEATURECAM 2009 V15 DELCAM FEATURECAM 2009 V15 FeatureCAM, developed by Delcam, is a suite of CAD/CAM software .... Unrestricted bear download autodesk featurecam 2018 key jogging his predominantly recovers. Fossilized Jonah buy ... Streets and Trips 2009 cheap license.. Delcam is launching a new version of its FeatureCAM feature-based CAM system. FeatureCAM 2009 incorporates enhancements across its .... FeatureCAM now has the capability to use a Form Tool for machining grooves in a turning operation.. Buy CHEAP Delcam featurecam 2009 v.15 (1 cd) oem download.. В FeatureCAM 2009 такие вещи работают както не полноценно, так что будет это работать или не не знаю. А вот FeatureCAM 2010 .... Fast download DELCAM FEATURECAM 2009 15 without registration.. FeatureCAM 2009 includes several improvements. As with all major FeatureCAM releases, many of the improvements are in response to customer requests.. FeatureCAM предназначен для разработки управляющих программ для станков с ЧПУ. Отличительной особенностью FeatureCAM от .... We've recently "discovered" FeatureCAM and fell in love with the easy way of converting CAD models to an EIA program. Everything is great .... Program FeatureCAM 2009 zawiera kompleksowe usprawnienia, odzwierciedlające zwiększone wydatki inwestycyjne firmy Delcam od czasu .... Save time when you're machining 3D parts with Skim Machining and spend more time on effective cutting and .... Delcam (www.featurecam.com) will launch the new version of its FeatureCAM feature-based CAM system at IMTS 2008. FeatureCAM 2009 .... One of the many 5-axis tool alignment options that FeatureCAM has - From Curve.. Production Machining is about one thing - speed. Getting your tool-paths created, verified and on to the machine cutting metal is the name of ... c72721f00a